

0 Scale 1/4" = 12"

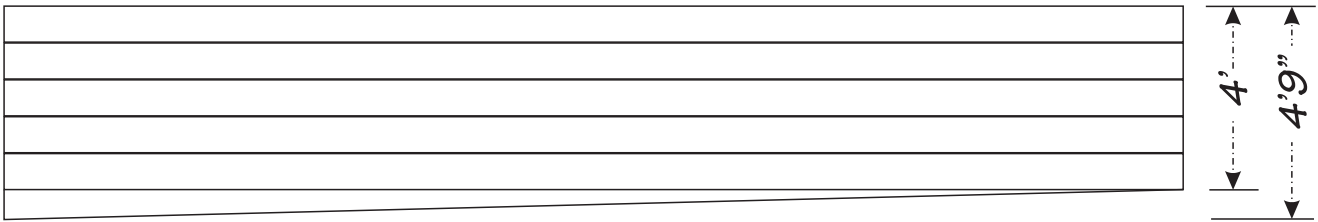
Note: Wall is shown as cropped for model.
Extend to 16'-20' for full wall.

Exterior Wall MJT 7/14

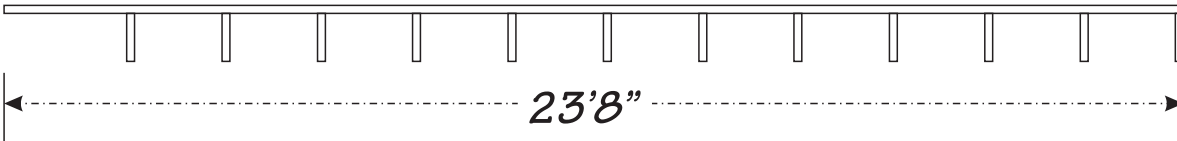
Lumber Shed

Roof

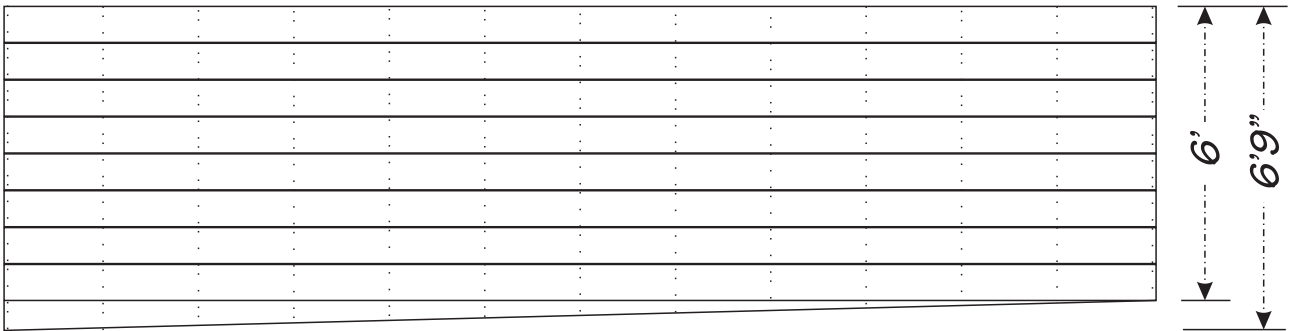
Track



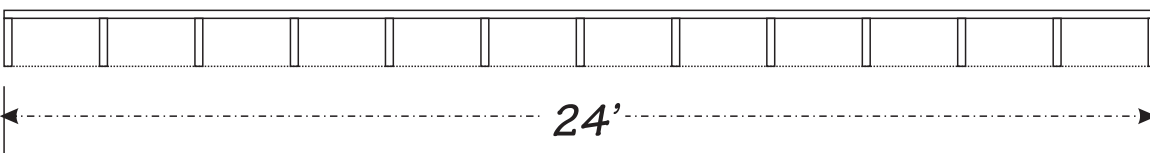
Front

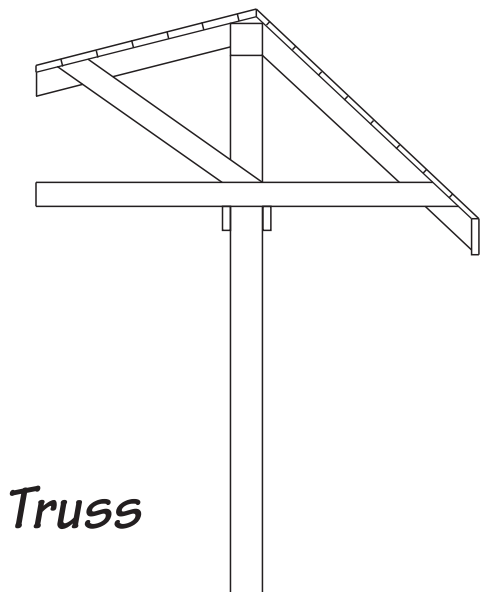
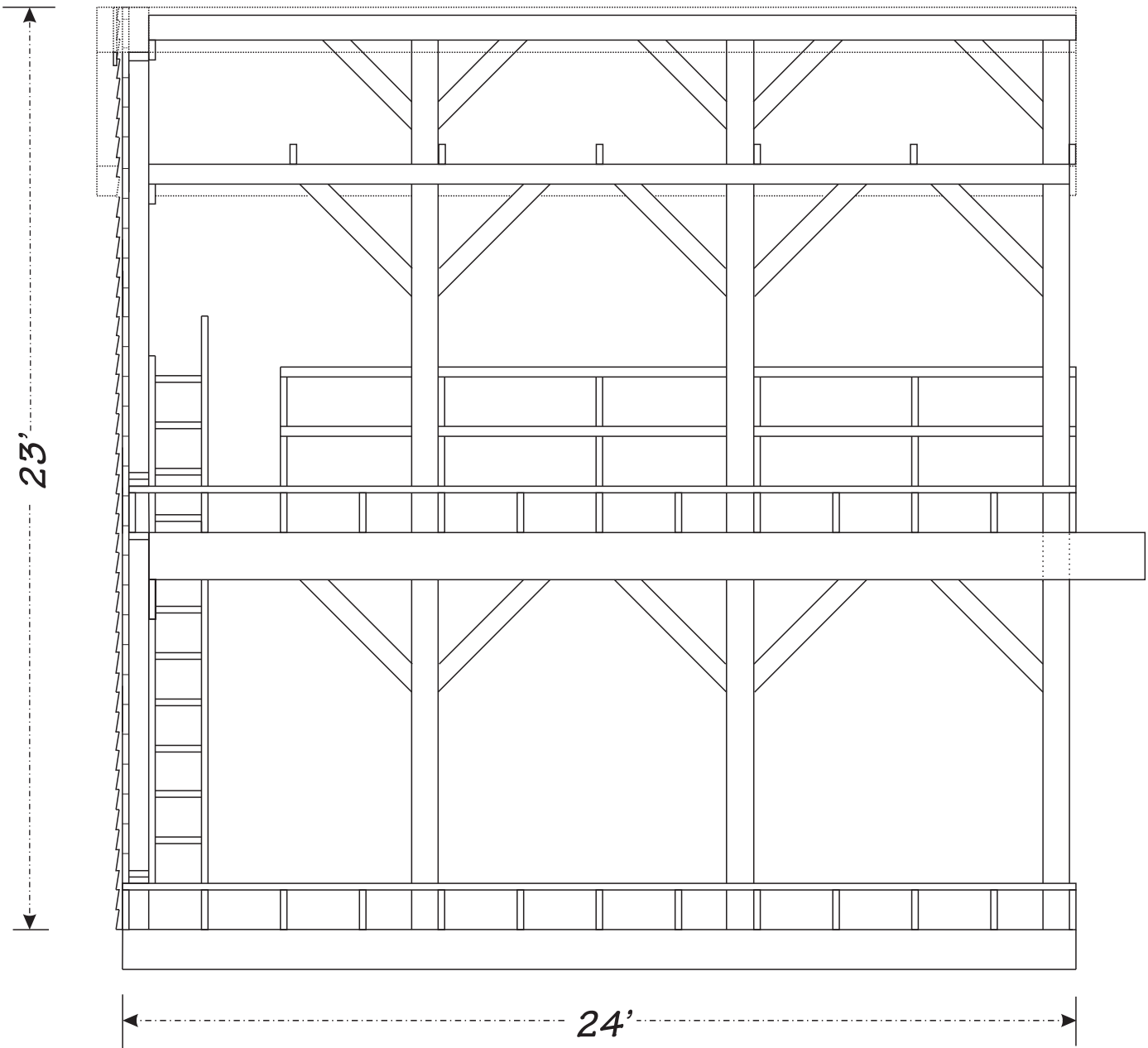


Floor



Front





*Elevation
From interior*

Truss